

QTY	TRIM & DOOR & SERIES #		TUB I.D.			FRAME O.D.		WALL OPENING: NON-RATED			ACCOMMODATES FOLLOWING EXTINGUISHERS
	Steel	Trim Style	A	B	C	E	F	W	H	D	
	8114*	Trimless	9"	18"	5 1/2"	9 1/4"	18 1/4"	9 1/2"	18 1/2"	5 3/4"	Cosmic 2 1/2E, 5E, 5X Galaxy 2 1/2, 5, 5 1/2 Mercury 2 1/2, 5
	8115*	Flat Trim	9"	18"	5 1/2"	12 3/8"	21 3/8"	10"	19"	5 1/2"	
	8116*	1 1/2"	9"	18"	5 1/2"	12 3/8"	21 3/8"	10"	19"	4"	
	8117*	2 1/2"	9"	18"	5 1/2"	12 3/8"	21 3/8"	10"	19"	3 1/8"	
	8113	Surf. Mtd.	12 3/16"	21 3/16"	6"	12 3/8"	21 3/8"	-	-	-	
	1815*	Flat Trim	10 1/2"	24"	5 1/2"	13 7/8"	27 3/8"	11 1/2"	25"	5 1/2"	Cosmic 2 1/2E, 5E, 5X Galaxy 2 1/2, 5, 5 1/2 Mercury 2 1/2, 5
	1816*	1 1/2"	10 1/2"	24"	5 1/2"	13 7/8"	27 3/8"	11 1/2"	25"	4"	
	1817*	3"	10 1/2"	24"	5 1/2"	13 7/8"	27 3/8"	11 1/2"	25"	2 5/8"	
	1812*	4"	10 1/2"	24"	5 1/2"	13 7/8"	27 3/8"	11 1/2"	25"	1 5/8"	
	1818	4 1/2"	10 1/2"	24"	5 1/2"	13 7/8"	27 3/8"	11 1/2"	25"	1 1/8"	
	1014*	Trimless	10 1/2"	24"	6"	10 3/4"	24 1/4"	11"	24 1/2"	6 1/4"	Cosmic 2 1/2E, 5E, 5X, 6E, 10E Galaxy 2 1/2, 5, 5 1/2, 6, 10 Sentinel 5 Mercury 2 1/2, 5
	1015*	Flat Trim	10 1/2"	24"	6"	13 7/8"	27 3/8"	11 1/2"	25"	6"	
	1016*	1 1/2"	10 1/2"	24"	6"	13 7/8"	27 3/8"	11 1/2"	25"	4 1/2"	
	1017*	3"	10 1/2"	24"	6"	13 7/8"	27 3/8"	11 1/2"	25"	3 1/8"	
	1012*	4"	10 1/2"	24"	6"	13 7/8"	27 3/8"	11 1/2"	25"	2 1/8"	
	1018	4 1/2"	10 1/2"	24"	6"	13 7/8"	27 3/8"	11 1/2"	25"	1 5/8"	
	1013	Surf. Mtd.	13 11/16"	27 3/16"	6 1/2"	13 7/8"	27 3/8"	-	-	-	
	2014*	Trimless	12"	27"	7 3/4"	12 1/4"	27 1/4"	12 1/2"	27 1/2"	8"	Any Cosmic, Any Galaxy Grenadier P, Sentinel 5, 10 Any Mercury Any Saturn
	2015*	Flat Trim	12"	27"	7 3/4"	15 3/8"	30 3/8"	13"	28"	7 7/8"	
	2016*	1 1/4"	12"	27"	7 3/4"	15 3/8"	30 3/8"	13"	28"	6 3/4"	
	2017*	2 1/2"	12"	27"	7 3/4"	15 3/8"	30 3/8"	13"	28"	5 1/2"	
	2012*	4"	12"	27"	7 3/4"	15 3/8"	30 3/8"	13"	28"	*4"	
	2018	4 1/2"	12"	27"	7 3/4"	15 3/8"	30 3/8"	13"	28"	3 1/2"	
	2013	Surf. Mtd.	15 3/16"	30 3/16"	8 1/4"	15 3/8"	30 3/8"	-	-	-	
	3015*	Flat Trim	16"	32"	7 3/4"	19 3/8"	35 3/8"	17"	33"	7 7/8"	
	3016*	1 1/4"	16"	32"	7 3/4"	19 3/8"	35 3/8"	17"	33"	6 3/4"	
	3017*	2 1/2"	16"	32"	7 3/4"	19 3/8"	35 3/8"	17"	33"	5 1/2"	
	3012*	4"	16"	32"	7 3/4"	19 3/8"	35 3/8"	17"	33"	4"	
	3018	4 1/2"	16"	32"	7 3/4"	19 3/8"	35 3/8"	17"	33"	3 1/2"	
	3013	Surf. Mtd.	19 3/16"	35 3/16"	8 1/4"	19 3/8"	35 3/8"	-	-	-	
	4015*	Flat Trim	20"	27"	7 3/4"	23 3/8"	30 3/8"	21"	28"	7 7/8"	Two each of: Any Cosmic Any Galaxy/Grenadier P, Sentinel 5, 10 Any Mercury Any Saturn
	4016*	1 1/4"	20"	27"	7 3/4"	23 3/8"	30 3/8"	21"	28"	6 3/4"	
	4017*	2 1/2"	20"	27"	7 3/4"	23 3/8"	30 3/8"	21"	28"	5 1/2"	
	4012*	4"	20"	27"	7 3/4"	23 3/8"	30 3/8"	21"	28"	4"	
	4018	4 1/2"	20"	27"	7 3/4"	23 3/8"	30 3/8"	21"	28"	3 1/2"	
	4013	Surf. Mtd.	23 3/16"	30 3/16"	8 1/4"	23 3/8"	30 3/8"	-	-	-	

DIMENSIONS IN INCHES

**DESCRIPTION:** Constructed of cold rolled steel with white powder-coat finish. Flush cabinet doors with 5/8" door stop are attached by a continuous hinge, and have zinc-plated handle and roller catch. Face trim on frame and door is 1 3/4". *Recessed:* 3/8" flat trim or trimless, *Semi-Recessed:* 1 1/4", 1 1/2" square edge or 2 1/2", 3", 4", 4 1/2" rolled edge. *Surface-Mount:* has a square edge.

**STEP 1**

**SELECT MODEL NUMBER AND QUANTITY** (REFER TO CHART TO LEFT FOR MODEL NUMBER)

- A. Determine Trim Style according to wall depth.
- B. Determine Tub I.D. according to size most suited for extinguisher and wall opening.

**NOTE:** If wall is fire rated, ask for separate Fire-FX™ recessed or semi-recessed cabinet detail and submittal form

**STEP 2**

**SELECT DOOR STYLE** (CHECK ONE BOX BELOW)

- F Full Glass w/pull Handle
- G Full Glass w/SAF-T-LOK™
- D Duo Panel w/pull Handle
- E Duo Panel w/SAF-T-LOK™
- V Vertical Duo w/pull Handle
- W Vertical Duo w/SAF-T-LOK™
- S21 Solid w/pull Handle
- L22 Solid w/SAF-T-LOK
- B20 Solid w/glass insert & SAF-T-LOK™

**STEP 3**

**AVAILABLE DOOR GLAZING** (SELECT ONE)


- 10 Clear Acrylic
- 13 Clear Wire Glass
- 15 Bronze Acrylic
- 16 Gray Acrylic
- 17 Clear Tempered Glass
- 18 Laminated Safety Glass

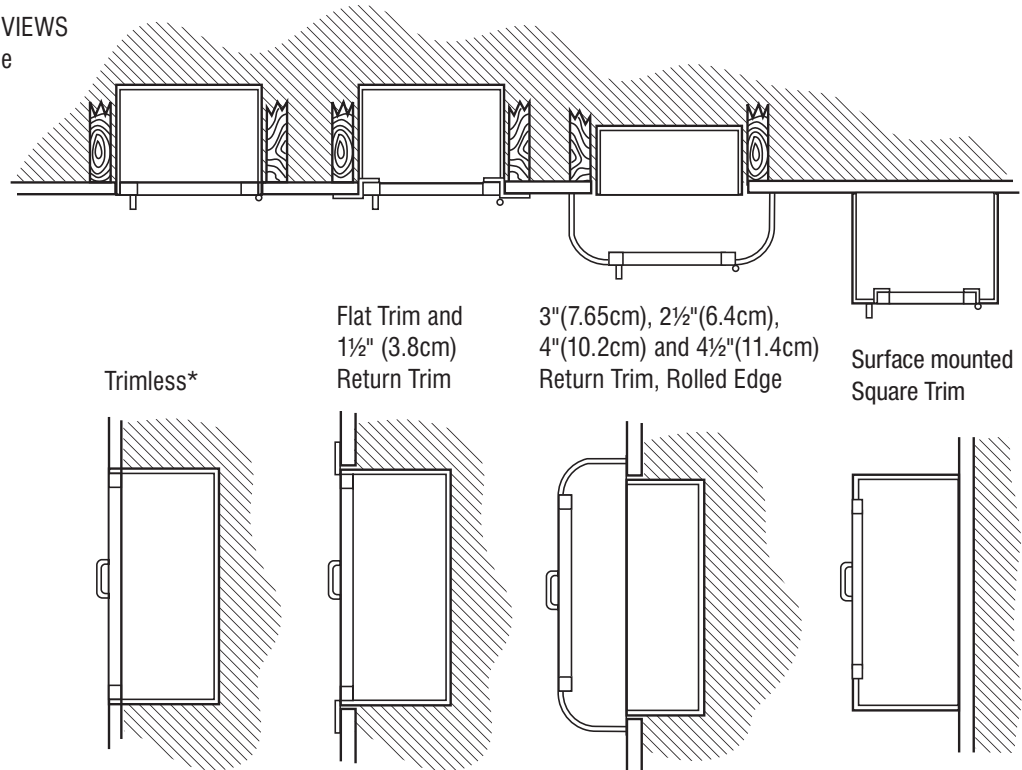
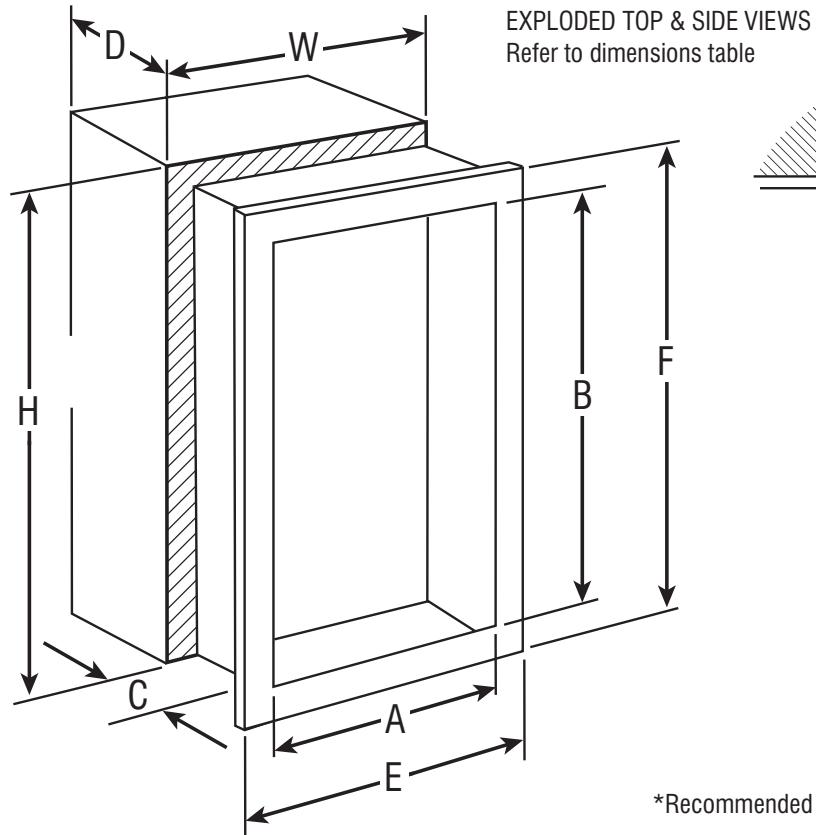
**STEP 4**

**OPTIONAL FEATURES AT ADDED COST** (SELECT ANY)

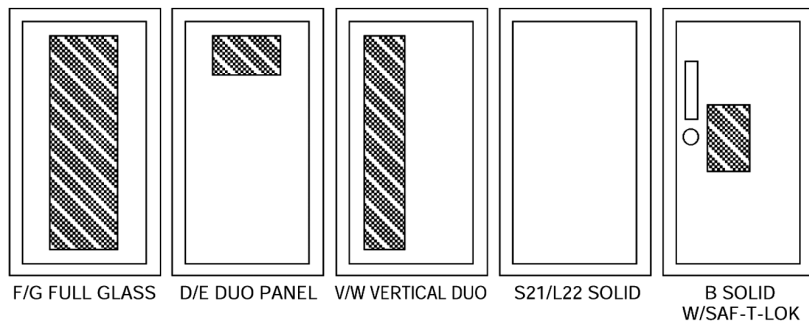
- Color Epoxy Tub - Red
- Color Epoxy Tub - Black
- Color Epoxy Door/trim - Red
- Color Epoxy Door/trim - Black
- Futura "Fire" Handle
- Flush Pull Handle
- Commander Alarm
- Etched Lettering in Glass
- Engraved Door in Metal (Optional Color Fill)
- FE Letters - Black Vertical
- FE Letters - Red Vertical
- FE Letters - White Vertical
- FE Letters - Black Horizontal
- FE Letters - Red Horizontal
- FE Letters - White Horizontal
- Brigadier Alarm
- Strobe Alarm (with audio alarm)
- Stainless Steel Tub #4
- Decals - Black Vertical
- Decals - Red Vertical
- Decals - White Vertical
- Decals - Black Horizontal I
- Decals - Red Horizontal
- Decals - White Horizontal
- Rolled Edge Surface Mount
- Aluminum Tub

\* MEETS A.D.A. PROJECTION CRITERIA

 <p><b>ACTIVAR</b> INC. <small>www.activar.com</small> Construction Products Group</p> <p><b>JL INDUSTRIES</b></p>	Distributor:	Quantity:
	Contractor:	Approved By:
	Model Number:	Architect:
	Project:	Date:
<p>HEADQUARTERS: 4450 WEST 78TH ST. CIRCLE, BLOOMINGTON, MN 55435-5416 • PH: 800-554-6077 • FAX: 952-835-2218 • E-MAIL: JL@JLINDUSTRIES.COM • WWW.ACTIVARCPG.COM</p> <p>ACPG WEST COAST (SAMSON PRODUCTS): COMMERCE, CA PH: 800-228-9489 FAX: 323-726-9068 • ACPG SOUTHEAST (THOMAS ENTERPRISES): FT. MEYERS, FL • PH: 239-693-7500 FAX: 239-693-7501</p>		



\*Recommended for plaster walls only, where the wall can be finished flush with the cabinet after its installation



JL INDUSTRIES

**ACTIVAR**  
INC.

www.activar.com

Construction Products Group

4450 W. 78th Street Circle, Bloomington, MN 55435  
Phone: 952-835-6850 FAX: 952-835-2218  
e-mail: jl@jlindustries.com • web site: www.jlindustries.com