

Standard Roof Hatch with a inside dimension of 36" long and 30" wide. The hinge and ladder are located on the 30" sides.

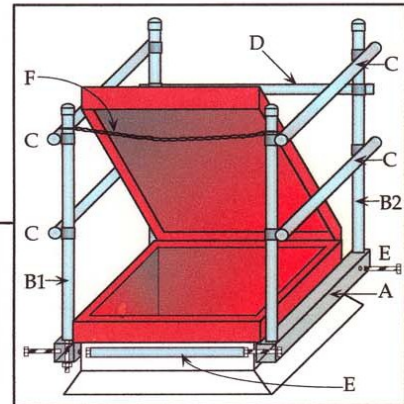
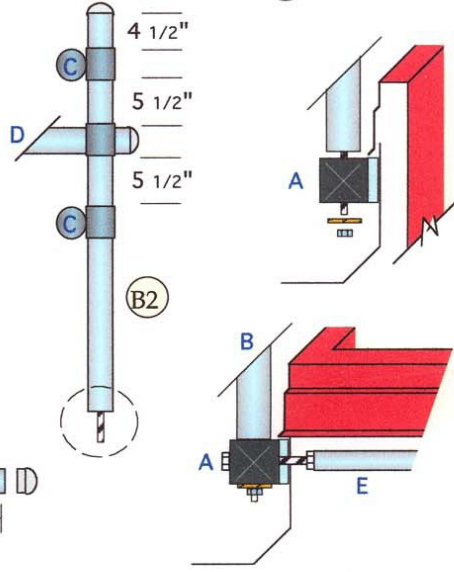
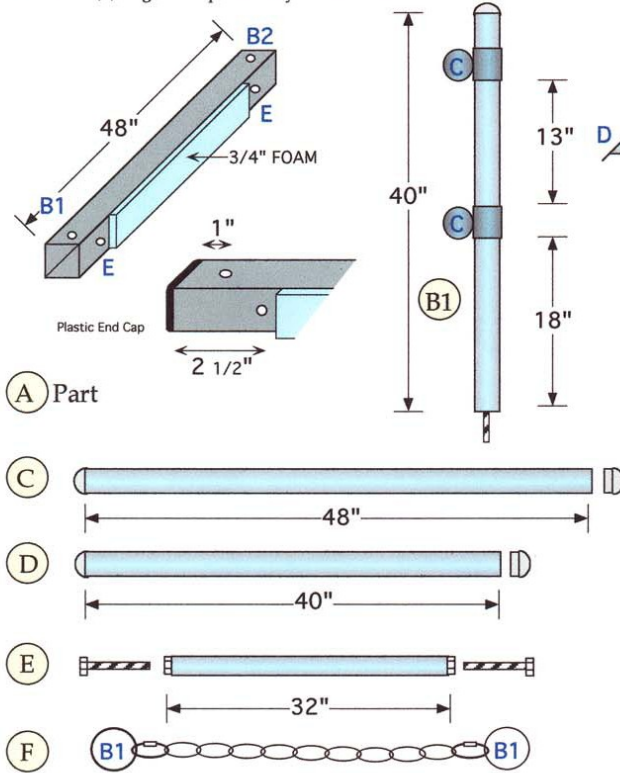
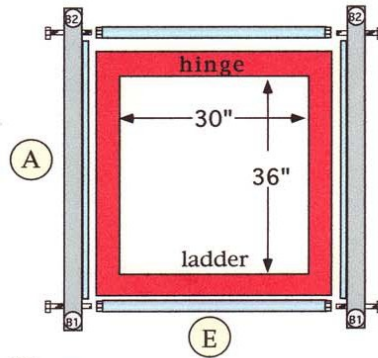
Meets OSHA Standard CFR 29 1910.23 and 1910.27 for required roof openings

**Materials:**

- Pipe Rail: 1 5/8" OD A53 Grade B seamed galvanized steel.
- Tubing Base: Factory galvanized 2"x2" 16 gage seamed steel.
- Tubing Base Pad: Styrofoam 3/4" thick isolation pad.
- Railing Clamps: Cast steel hot dipped galvanized.
- Accessories: Zinc plated 3/16" ASTM proof chain with quick links and hoops.
- Pipe Caps: Zinc plated post caps with 1 1/4" UV resistant vinyl side rail caps.

**Installation**

Personal fall protection must be worn during installation.  
 Field customize to fit existing condition or as specified herein.  
 Set curb framing gasket (A) (E) around roof opening, tighten to fit opening.  
 Add the four corner posts (B) into receiver and bolt to frame.  
 Install cross rails (C) (D) into preset clamps and level adjust with wrench.  
 Add chain (F) or gate as specified by manufacturer..



JL INDUSTRIES

A DIVISION OF

**ACTIVAR**  
INC.

www.activarcpg.com

Construction Products Group

**SAF-T-HATCH ROOFTOP SAFETY RAIL  
 INSTALLATION INSTRUCTIONS**

HEADQUARTERS & CUSTOMER SERVICE: 4450 WEST 78<sup>TH</sup> ST CIRCLE, BLOOMINGTON, MN 55435-5416 PH: 800-554-6077 FAX: 952-835-2218

EMAIL: SALES@JLINDUSTRIES.COM WWW.ACTIVARCPG.COM

ACPG SOUTHEAST (THOMAS ENTERPRISES): FT MEYERS, FL PH: 239-693-7500 FAX: 239-693-7501

ACPG WAREHOUSES: COMMERCE CA (SAMSON MFG), DALLAS TX, LANCASTER PA, ATLANTA GA